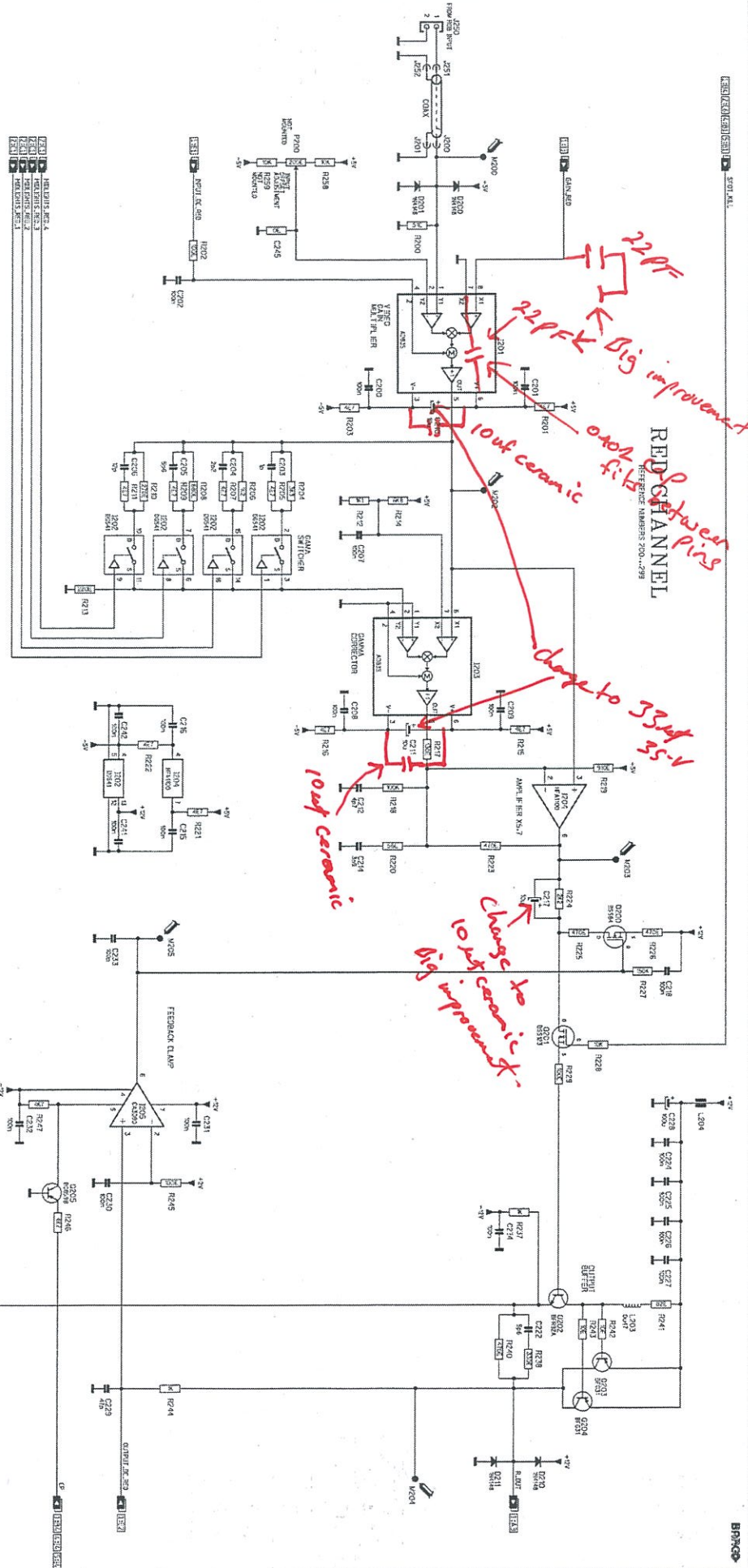


RED CHANNEL

REFERENCE NUMBERS 200-428



NO. PARTS

2001	VTRC MAT IN. ER.
2002	VTRC MAT IN. ER.
2003	VTRC MAT IN. ER.
2004	VTRC MAT IN. ER.
2005	VTRC MAT IN. ER.
2006	VTRC MAT IN. ER.
2007	VTRC MAT IN. ER.
2008	VTRC MAT IN. ER.
2009	VTRC MAT IN. ER.
2010	VTRC MAT IN. ER.
2011	VTRC MAT IN. ER.
2012	VTRC MAT IN. ER.
2013	VTRC MAT IN. ER.
2014	VTRC MAT IN. ER.
2015	VTRC MAT IN. ER.
2016	VTRC MAT IN. ER.
2017	VTRC MAT IN. ER.
2018	VTRC MAT IN. ER.
2019	VTRC MAT IN. ER.
2020	VTRC MAT IN. ER.
2021	VTRC MAT IN. ER.
2022	VTRC MAT IN. ER.
2023	VTRC MAT IN. ER.
2024	VTRC MAT IN. ER.
2025	VTRC MAT IN. ER.
2026	VTRC MAT IN. ER.
2027	VTRC MAT IN. ER.
2028	VTRC MAT IN. ER.
2029	VTRC MAT IN. ER.
2030	VTRC MAT IN. ER.
2031	VTRC MAT IN. ER.
2032	VTRC MAT IN. ER.
2033	VTRC MAT IN. ER.
2034	VTRC MAT IN. ER.
2035	VTRC MAT IN. ER.
2036	VTRC MAT IN. ER.
2037	VTRC MAT IN. ER.
2038	VTRC MAT IN. ER.
2039	VTRC MAT IN. ER.
2040	VTRC MAT IN. ER.
2041	VTRC MAT IN. ER.
2042	VTRC MAT IN. ER.
2043	VTRC MAT IN. ER.
2044	VTRC MAT IN. ER.
2045	VTRC MAT IN. ER.
2046	VTRC MAT IN. ER.
2047	VTRC MAT IN. ER.
2048	VTRC MAT IN. ER.
2049	VTRC MAT IN. ER.
2050	VTRC MAT IN. ER.

RESISTORS

R200	10K
R201	10K
R202	10K
R203	10K
R204	10K
R205	10K
R206	10K
R207	10K
R208	10K
R209	10K
R210	10K
R211	10K
R212	10K
R213	10K
R214	10K
R215	10K
R216	10K
R217	10K
R218	10K
R219	10K
R220	10K
R221	10K
R222	10K
R223	10K
R224	10K
R225	10K
R226	10K
R227	10K
R228	10K
R229	10K
R230	10K
R231	10K
R232	10K
R233	10K
R234	10K
R235	10K
R236	10K
R237	10K
R238	10K
R239	10K
R240	10K
R241	10K
R242	10K
R243	10K
R244	10K
R245	10K
R246	10K
R247	10K
R248	10K
R249	10K
R250	10K

DATE: 11-12-1977
 DRAWN: JNDY
 CHECKED: PDSY
 DESIGNED: PDSY
 DIVISION: 315/100
 SHEET: 3/6
 TITLE: RED CHANNEL

MilliOhm resistor