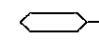
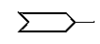
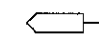
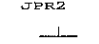
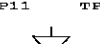
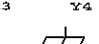
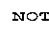


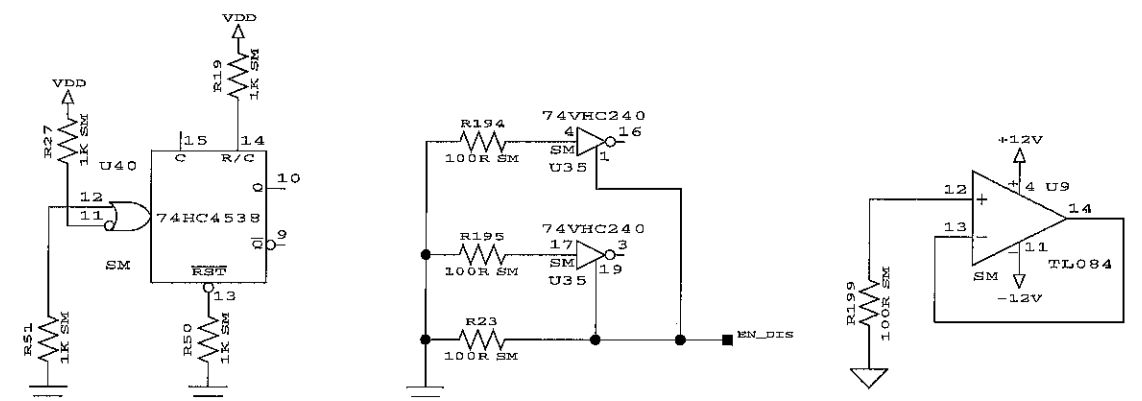
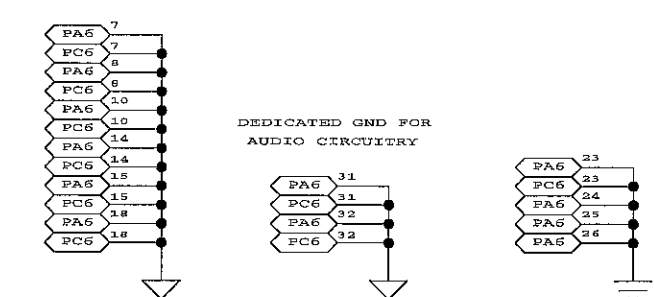
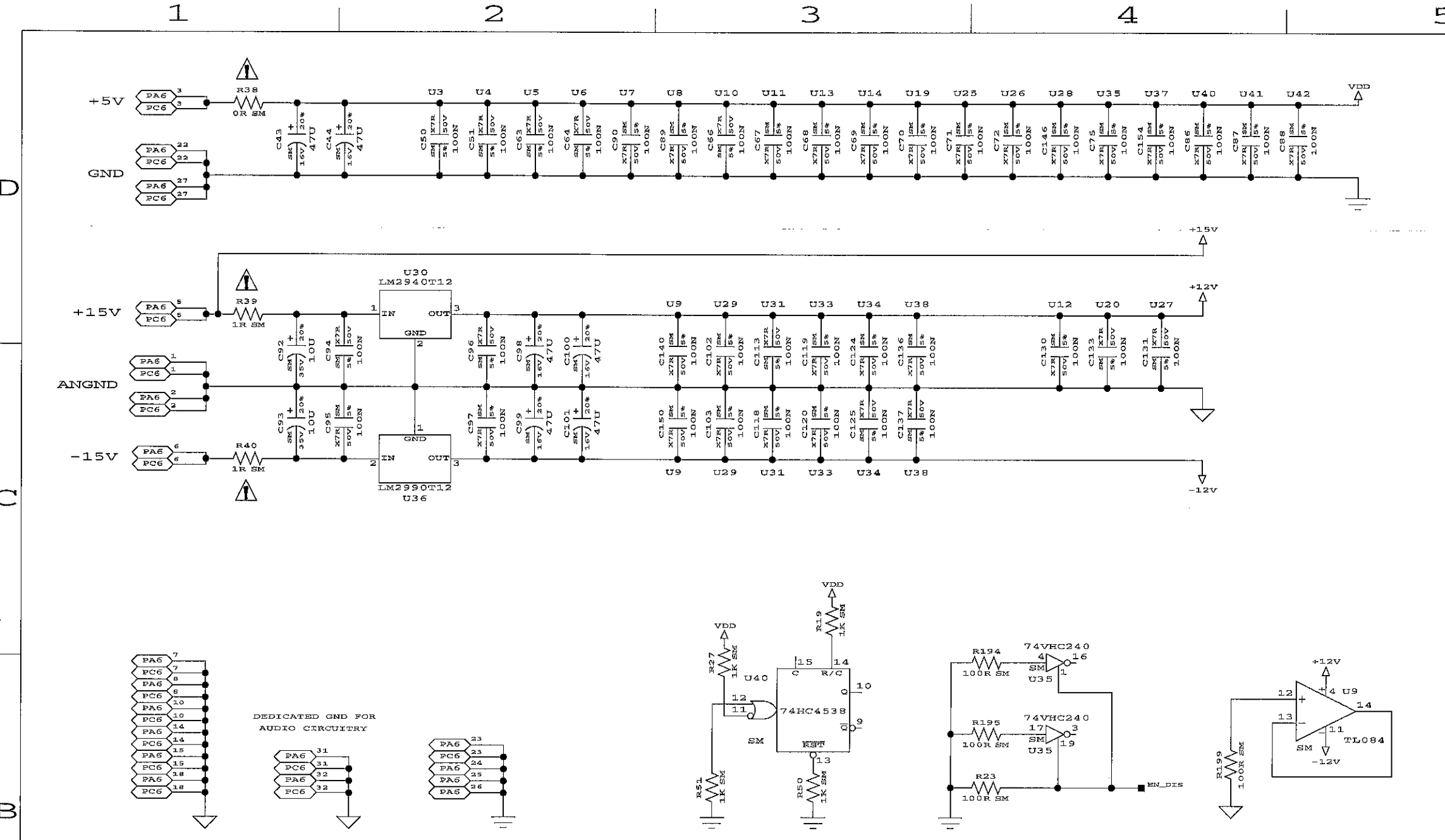
REVISION HISTORY				
ISS	RFC No	DESCRIPTION	DATE	APP
01	-----	ORIGINAL	TP 15SEP94	JP
02	40361	PROG PARTS ADDED	TP 28OCT94	JP
03	40370	REDUCE GAMMA-COR	TP 04NOV94	JP
04	40401	SCREWS RE-ASSIGNED	TP 25NOV94	JP
05	40409	L-BRACKET REMOVED	TP 05DEC94	JP
06	50013	CAPS RE-ASSIGNED	TP 02FEB95	JP
07	50288	TAPE ADDED	TP 03APR95	JP
08	50295	CAPS RE-ASSIGNED	TP 17MAY95	JP
09	50324	KEY NOTCH ADDED	TP 25MAY95	JP
10	50326	R214 POT ADDED	TP 30MAY95	JP
11	50574	U3 PINS 4&5 SHORTED	TP 02NOV95	JK
12				
13				
14				
15				
16				

- NOTES:**
- UNLESS OTHERWISE SPECIFIED:
1/8W 5% FOR SURFACE RESISTORS
1/2W 5% FOR THROUGH RESISTORS
50V 5% FOR ALL CAPACITORS
 - THE FOLLOWING DENOTE CONNECTOR IDENTITIES:
 MALE
 FEMALE
 HARNESS
 - "H" AT COMPONENT DENOTES A HEATSINK.
 - "SKT" DENOTES SOCKETED INTEGRATED CIRCUIT.
 - "SM" IDENTIFIES SURFACE MOUNT PARTS.
 - PCB SENSITIVE TO ELECTROSTATIC DISCHARGE.
 - ← ARROWS ON SIGNAL LINES INDICATE THE DIRECTION OF FLOW.
 - SHIELDED AREAS AS SHOWN.
 - THE FOLLOWING DENOTE GROUND IDENTITIES:
 DIGITAL
 ANALOGUE
 CHASSIS
 - "DNP" IDENTIFIES THE FOLLOWING PARTS THAT ARE NOT TO BE POPULATED:

HIGHEST	REFERENCE DESIGNATORS				NOT USED			
BB2	C169	D28	J16	J1	U39			
JPR10	L16	LD10	F2					
PA6	PC6	Q7	R213					
RN3	SW2	TP16	U42					
WR3	Y4							

CAUTION

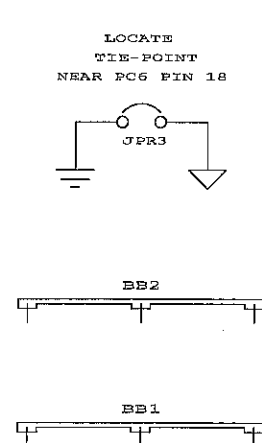
FOR CONTINUED SAFETY, REPLACE ALL COMPONENTS NOTED BY  WITH EXACT REPLACEMENT PARTS ONLY! CONSULT SERVICE MANUAL FOR REPLACEMENT TYPE!



CONTROLLED DOCUMENT
 MUST BE IN RED INK TO BE VALID

IMPLICIT CHART

REFDES	SYMBOL	VDD	GND	ANGND
J2	BNC			3 4
J3	BNC			3 4
J4	BNC			3 4
J5	cojksvhs2			7
J6	cojksvhs2			7
J7	BNC			3 4
J8	BNC			3 4
J9	RCA			3
J10	RCA			3
J11	RCA			3
J12	RCA			3
J13	RCA			3
J14	RCA			3
J15	RCA			3
J16	RCA			3
SW1	SPDT			4
SW2	DPDT			7
U3	74VHC32	14	7	
U13	74VHC08	14	7	
U29	LT1260CS			3 5
U35	74VHC240	20	10	
U38	LT1260CS			3 5
U39	74HC4538	16	8	
U40	74HC4538	16	8	



ADDITIONAL BILL ITEMS

PART NUMBER	QTY	DESCRIPTION
00-260415-04P	0	SCHEMATIC
31-700418-05P	3	SCREWS #4 x 5/16 MACHINE
32-000087-01P	2	RTVSCREW FOR PA6
33-000010-01P	2	PEM-NUT FOR BNC BRACKET MOUNT
33-000440-05P	3	HEX-NUT STAR WASHER (U2,30,36)
33-000878-02P	1	CRYSTAL SPACER
34-000934-01P	1	PLASTIC JUMPER PLUG
35-004916-01P	1	HEATSINK FOR U2
35-005248-01P	1	HEAT SINK FOR U32
36-000129-02P	1	KAPTON TAPE 1/2" WIDE
50-002415-04P	1	PCB
54-002032-01P	1	LABEL BLANK
54-018095-01P	1	LABEL ISSUE
56-260415-04P	1	STUFFING SPECIFICATION

ADDITIONAL BILL ITEMS

PART NUMBER	QTY	DESCRIPTION
72-A05034-03P	0	27C256R-18JC
72-A06011-01P	1	80C154 MICRO
72-A06017-01P	0	EPM7032
72-A07002-02P	1	SPU2243
72-A07011-01P	1	VCU2136
72-A07012-01P	1	DTI2223
72-A07013-01P	1	DFU2553
72-F41506-02P	1	PROGRAMMED U6
72-F41508-02P	1	PROGRAMMED U8
72-F41525-02P	1	PROGRAMMED U25
72-F41541-02P	1	PROGRAMMED U41
72-F41542-02P	1	PROGRAMMED U42
98-000179-01P	0	POLYBAG
99-CH0102-01P	0	THERMAL ADHESIVE (U32)
99-CH0102-02P	0	ACTIVATOR

D

C

B

A

D

C

B

A