

6

5

4

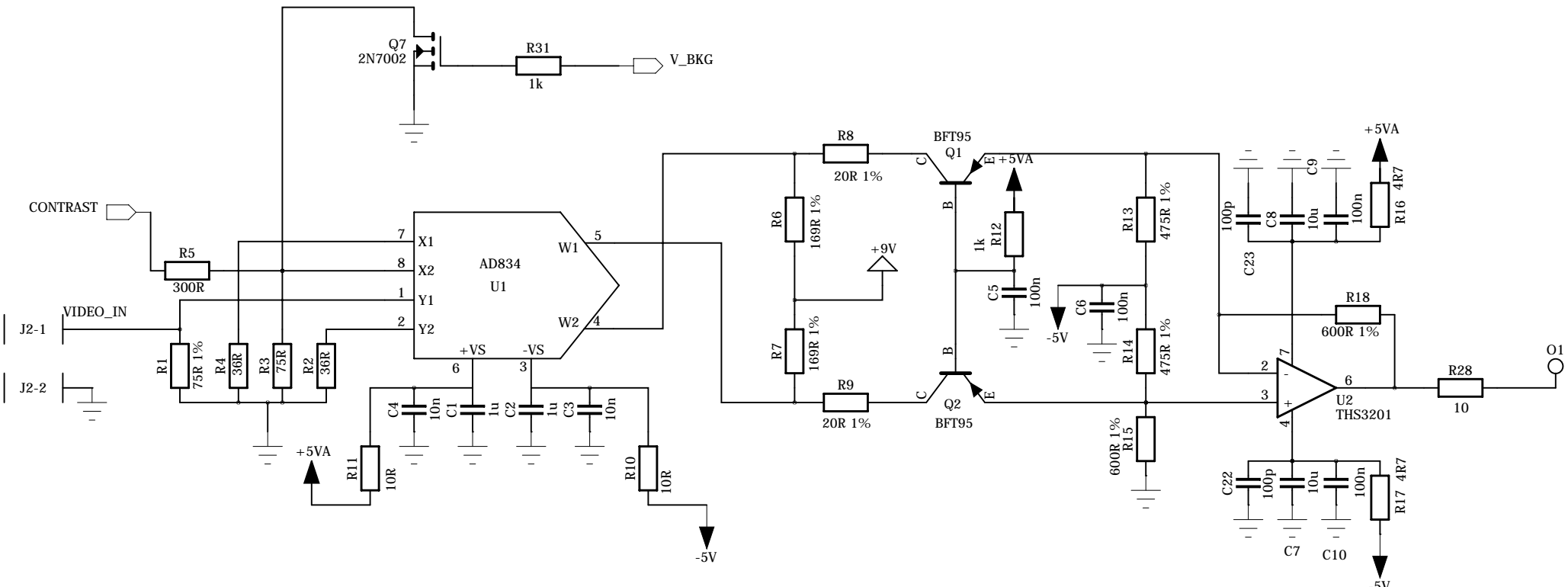
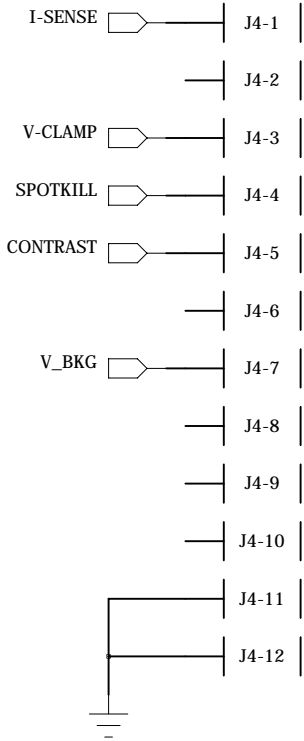
3

2

1

REVISION RECORD			
LTR	ECO NO:	APPROVED:	DATE:

POK - NEC signal connector



D

C

B

A

D

C

B

A

COMPANY:				Electrohome - NEC							
TITLE:				VNB predrive board							
DRAWN:		DATED:		CODE:		SIZE:		DRAWING NO:		REV:	
CHECKED:		DATED:		B		JG					
QUALITY CONTROL:		DATED:									
RELEASED:		DATED:									
SCALE:								SHEET: 1 of 2			

6

5

4

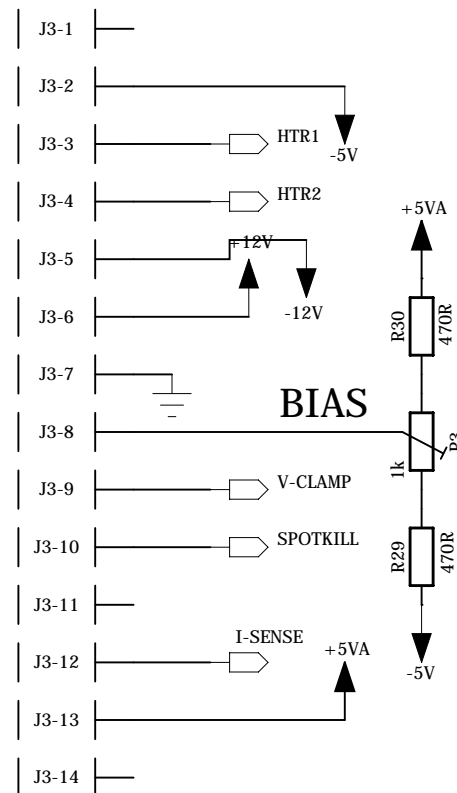
3

2

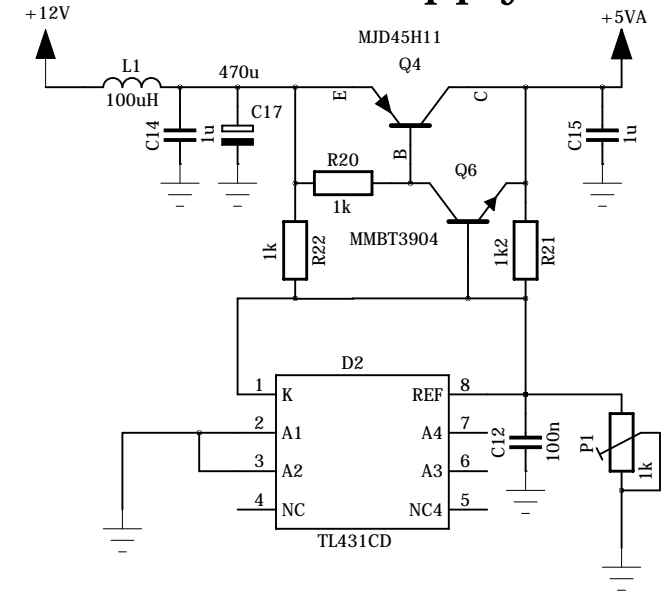
1

REVISION RECORD			
LTR	ECO NO:	APPROVED:	DATE:

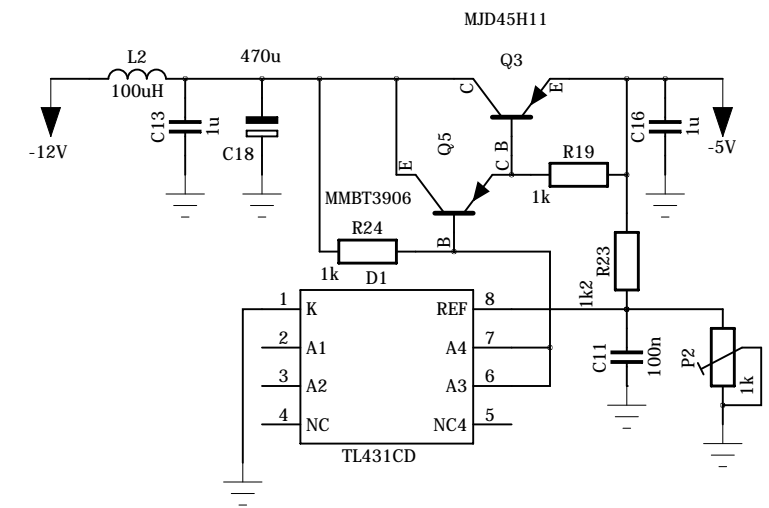
VNB header



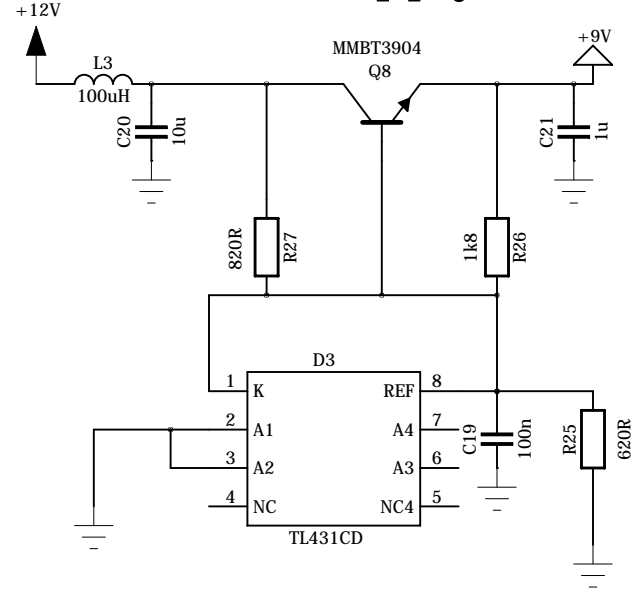
+5V supply



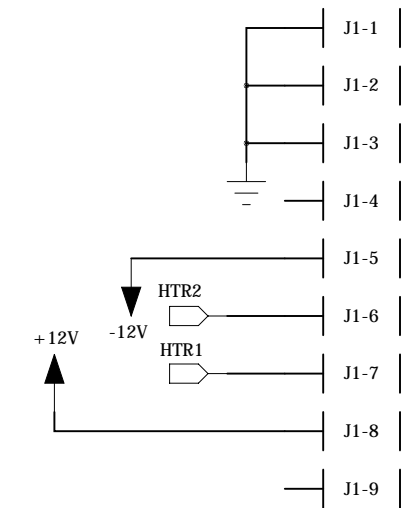
-5V supply



+9V supply



POY - NEC power connector



COMPANY: **Electrohome - NEC**

TITLE: **VNB predrive board**

DRAWN:	DATED:
CHECKED:	DATED:
QUALITY CONTROL:	DATED:
RELEASED:	DATED:

CODE:	SIZE:	DRAWING NO:	REV:
	B		JG

SCALE: SHEET: 2 OF 2