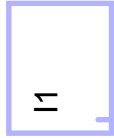


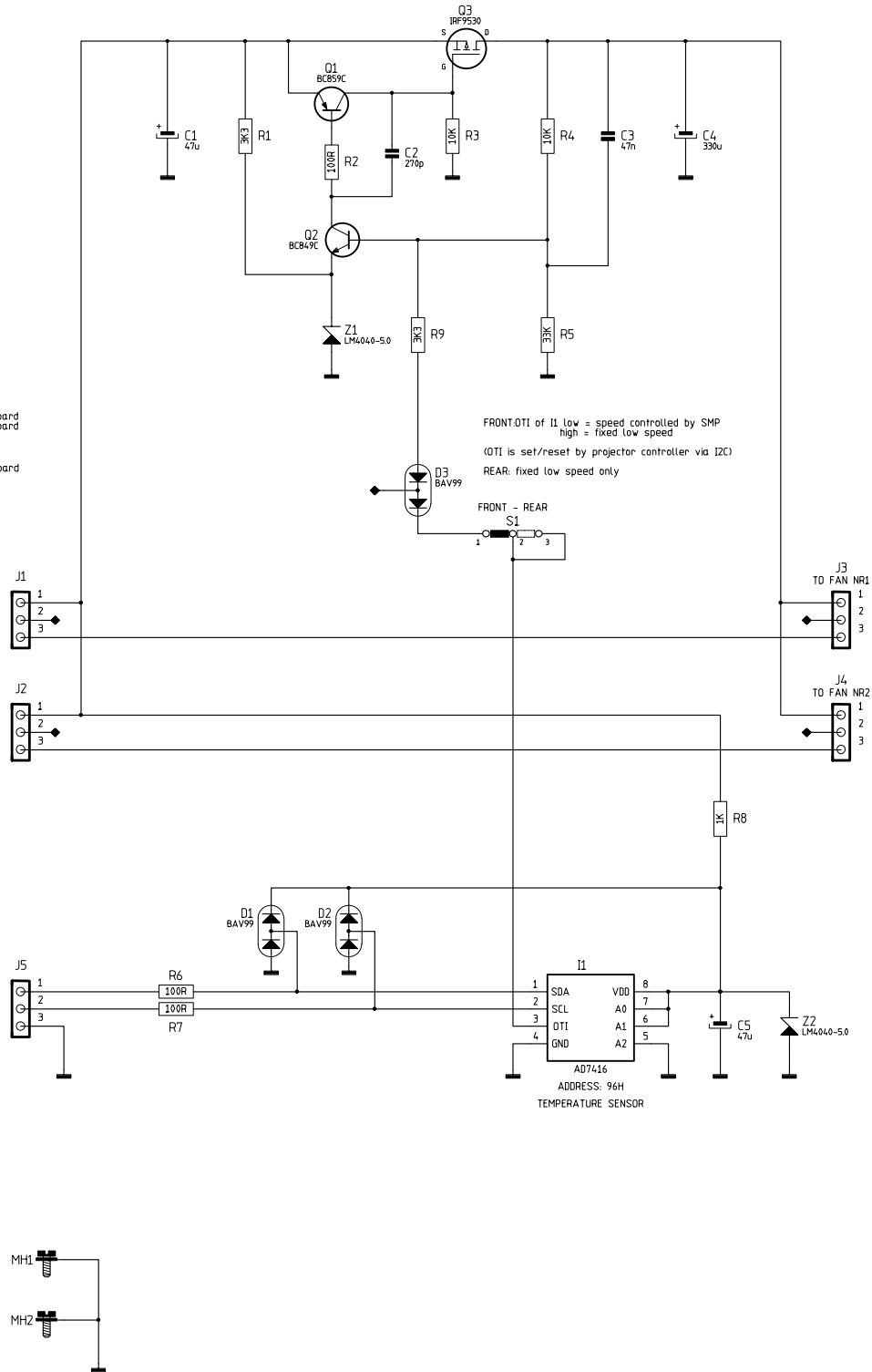
PCBNR-REV



Control of front fans:
 J1 : From fan connector J34 on focus board
 J2 : From fan connector J35 on focus board
 J5 : From J3 on controller board

Control of left rear fan
 J1 : From fan connector J31 on motherboard
 J2 : Not used
 J5 : Not used

FRONT OTI of I1 low = speed controlled by SMP
 high = fixed low speed
 (OTI is set/reset by projector controller via I2C)
 REAR: fixed low speed only



Modifications reserved

Name FAN CONTROL		Sheet 1/1	
Module No R763706	Index - 0	PCB No R781298	Rev - 0
Date 18-07-2001	Drawn JVDY	Checked PDGY	
BARCO NV		Division	