

A

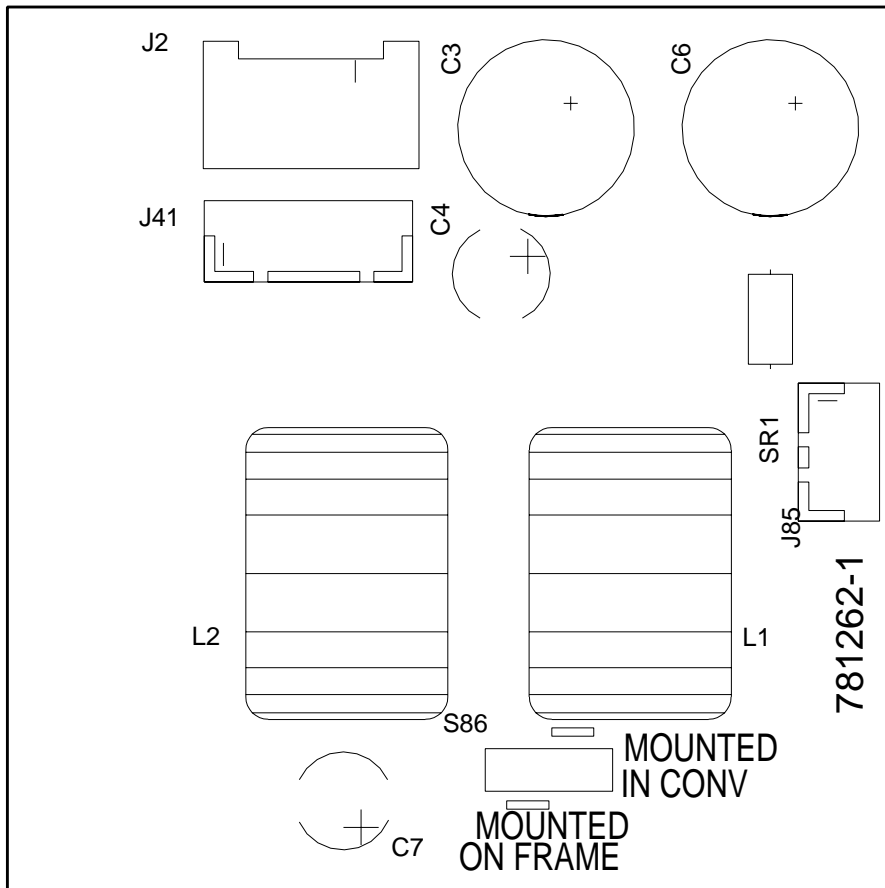
B

C

D

BARCO

TOP VIEW



COMP.	LOC.	COMP.	LOC.
C3	B1	S86	C4
C4	B2		
C6	C1	SR1	C3
C7	B4		
J2	B1		
J41	B2		
J85	D3		
L1	C3		
L2	B3		

Modifications reserved

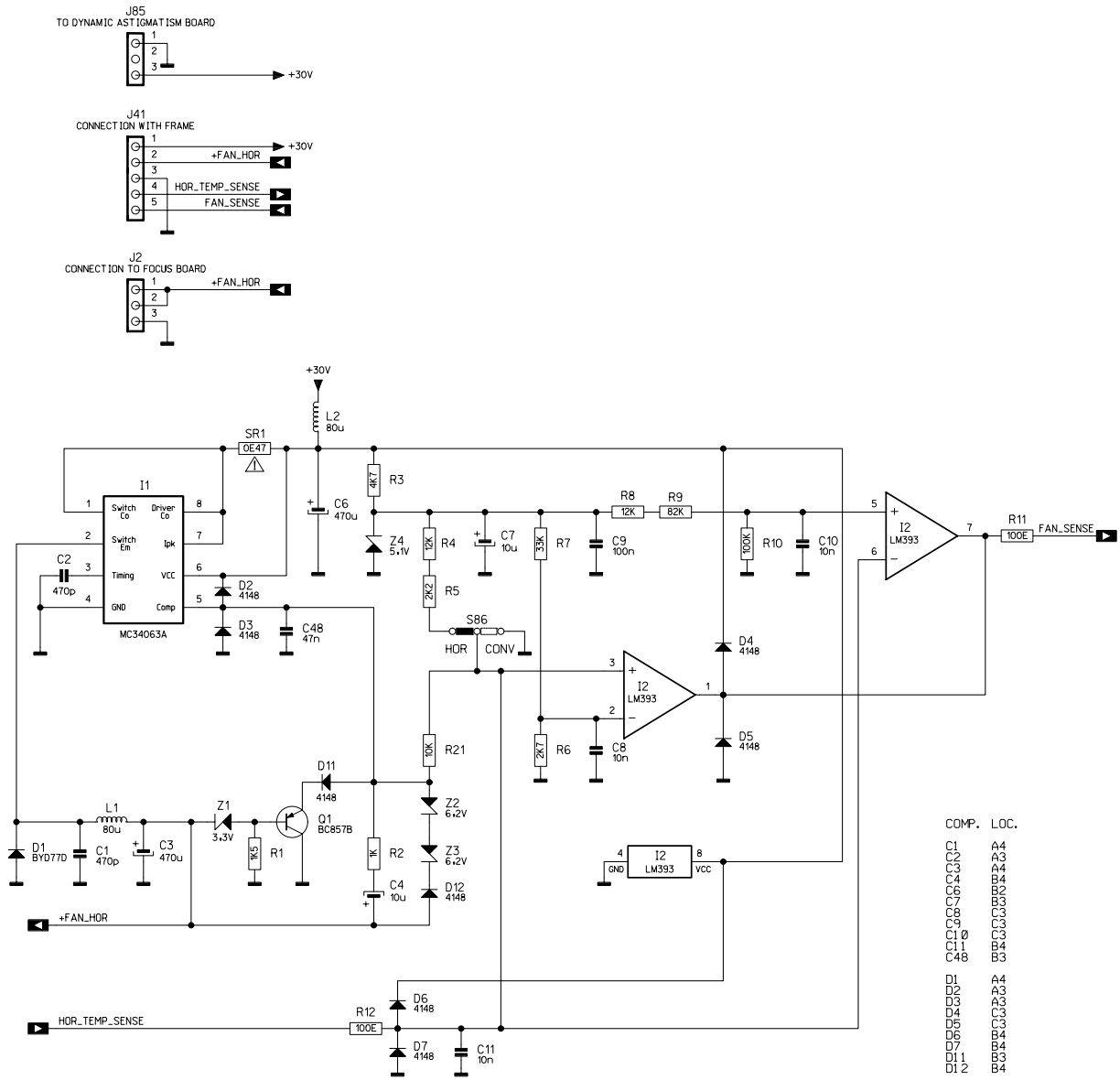
Name HORIZONTAL FAN CONTROL			Sheet 1 / 2
Module No R763452	Index — 5	PCB No R781262	Rev — 1
Date 07-05-2002	Drawn JV DY	Checked CHECKED	
HOME			

A

B

C

D



COMP.	LOC.
C1	A4
C2	A4
C3	A3
C4	A4
C5	B3
C6	B3
C7	B3
C8	B3
C9	B3
C10	B3
C11	B3
C12	B3
D1	A4
D2	A4
D3	A3
D4	A4
D5	B4
D6	B4
D7	B4
D8	B4
D9	B4
D10	B3
D11	B3
D12	B4
I1	A2
I2	C3
I3	C3
J2	A1
J41	A1
L1	A4
L2	B2
Q1	B4
R1	B4
R2	B4
R3	B3
R4	B3
R5	B3
R6	B3
R7	B3
R8	B3
R9	B3
R10	B3
R11	B3
R12	B3
SR1	A2
Z1	A4
Z2	B4
Z3	B4
Z4	B3

PRODUCT SAFETY NOTICE
 COMPONENTS MARKED WITH * OR Δ HAVE SPECIAL CHARACTERISTICS IMPORTANT TO SAFETY. BEFORE REPLACING ANY OF THESE COMPONENTS, READ CAREFULLY THE SERVICE SAFETY PRECAUTIONS. DO NOT DEGRADE THE SAFETY OF THIS SET THROUGH IMPROPER SERVICING.

Name		FAN CONTROL		Sheet		1/1	
Module No		R763452 - 5		PCB No		R781262 - 1	
Date		07-05-2002		Drawn		Checked	
		JVDY				KC	
HOME				Division			
				BPS			