

Model 340SC

Series 300

Finally, large screen images can be seen the way you intended with the high-performing Model 340SC ILA® projector from Hughes-JVC Technology Corporation.

With an astounding 4200 lumens of light output, image sizes up to 50 feet wide and a 1000:1 contrast ratio, the Model 340SC is the perfect projector for events such as outdoor concerts, sports arenas, amphitheaters and stadiums.

The 340SC is compatible with virtually any source, including video, HDTV and high-resolution computer graphics requiring resolution up to 2000 x 1340 lines. New graphics enhancement circuitry ensures outstanding text and graphics reproduction. Bandwidth improvement to 150 MHz means more signal information reaches the screen. New E-Z Setup



Model 340SC

4200 Center Full White Lumens/
3700 ANSI Lumens

Software reduces setup time.

And all Model 340SCs are factory preshaded and preconverted for the most common sources, with backup restoration disks included.

The Model 340SC is part of the complete product line of high-performance, ultra-bright ILA® projectors. What separates Hughes-JVC projectors from all others is their patented Image Light Amplifier—a 100% solid state liquid crystal light valve. This ILA® technology helps all Hughes-JVC models deliver an unparalleled combination of color, contrast, brightness, resolution and bandwidth for the very best large screen image in the industry.

Series 300 Product Features

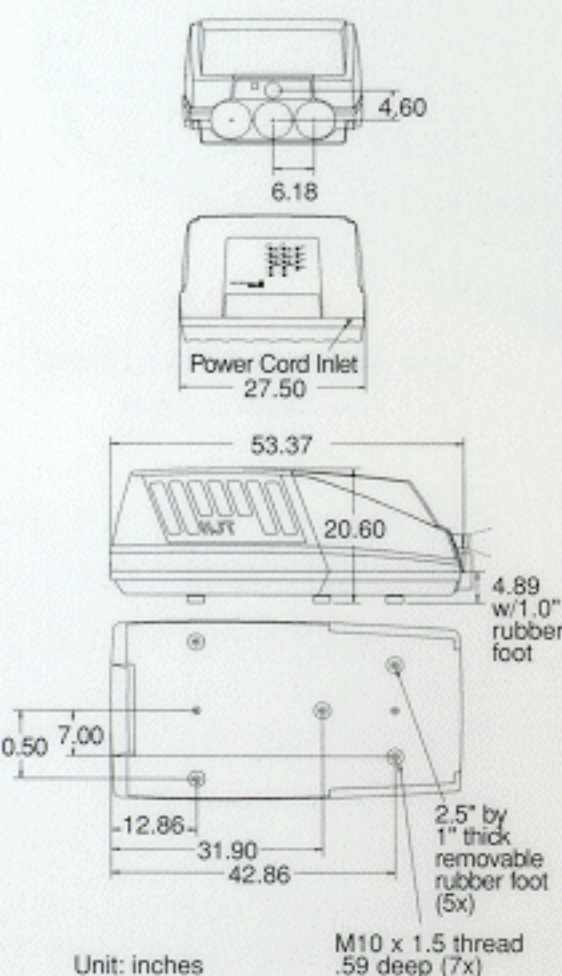
- Modular design, including five field-replaceable circuit boards, for ease of service
- Removable electronics/CRT module
- Digital control of projector functions, including convergence, picture adjustments, switching and diagnostics
- 30 memories for ease in set-up recall
- Choice of projection lens set for throw distances up to 360 feet



The Image Says It All.

Model 340SC

North American Specifications



Brightness	4,200 Center Full White Lumens/ 3,700 ANSI Lumens
Super Contrast	1,000:1
RGB Bandwidth	150 MHz (Measured at -3db)
Horizontal Frequency	15-90 kHz
Vertical Frequency	45-120 Hz
Aspect Ratio	4:3 - 16:9 (Variable)
Blanking	H:<2.3 μ s, V:<500 μ s
Source Compatibility	2,500 (H) x 1,340 (V)
Resolution	2,000 (H) x 1,340 (V)
Video Resolution	1,500 TV Lines (4:3)
Color	SMPTE 240M
Convergence	Digital with 30 Memories/Channels
Light Modulator	3 Proprietary Image Light Amplifiers (100% solid state liquid crystal light valve)
Power	220V AC, 20A, 60 Hz, 3,325 Watts
Light Source	2,000 Watt Xenon Arc Lamp
Lens Options	1.5:1, 3:1, 5:1, 7:1 (Throw: Screen Width) Standard Lenses. Special order lenses on request.
Throw Distance	6' - 360'
Screen Size	4' - 50' wide
Keystone	$\pm 2^\circ$ (H), $\pm 15^\circ$ (V)
Inputs	2 RGBHV (Decoder optional)
Communication Ports	2 RS-232C (1 for PC or Technician's Remote, 1 for Switcher)
Size (HxWxL)	20.6" x 27.5" x 53.4"
Weight	342 lbs.
Operating Temperature	50° - 104° F
Includes	Operator's Manual, Choice of one Standard Projection Lens Set, Setup Restoration Disk, Wireless Infrared Full-function Remote Control, Wireless Infrared Executive Remote
Projector Warranty	1 year Parts and Limited Labor (valid only for installations within North America)
Lamp Warranty	90 days or 2,000 hours prorated

*Brightness measured at 1024x768, 90 Hz, 5600°K. Additional information available on request.
Specifications subject to change without notice.*



The Image Says It All.

Hughes-JVC Technology Corporation
2310 Camino Vida Roble, Carlsbad, CA 92009
Tel: 760-929-5300 • Fax: 760-929-5410
For more information call 1-800-225-4582