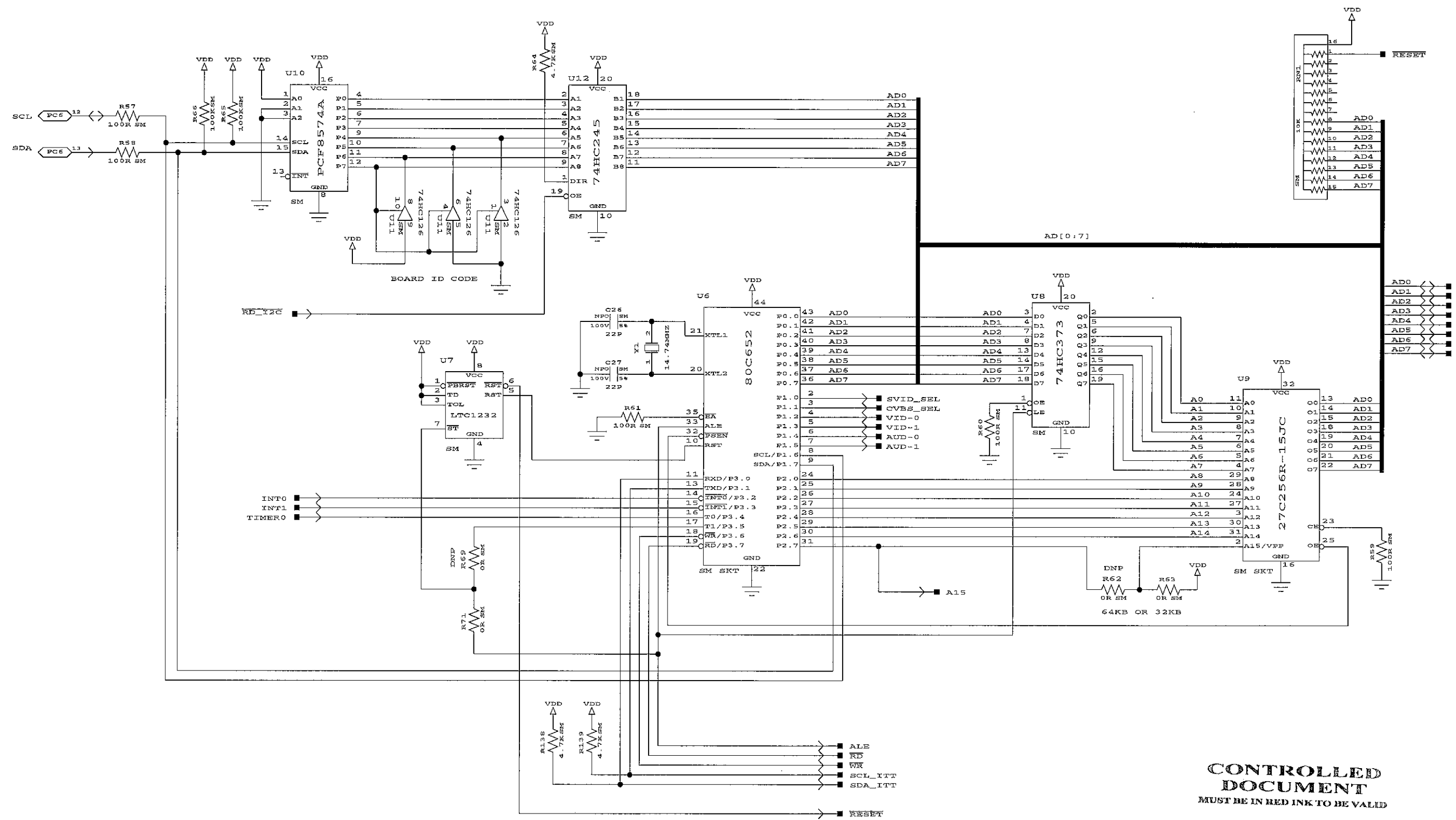


D
C
B
A

1 2 3 4 5 6



CONTROLLED DOCUMENT
MUST BE IN RED INK TO BE VALID

1 2 3 4 5 6

D
C
B
A