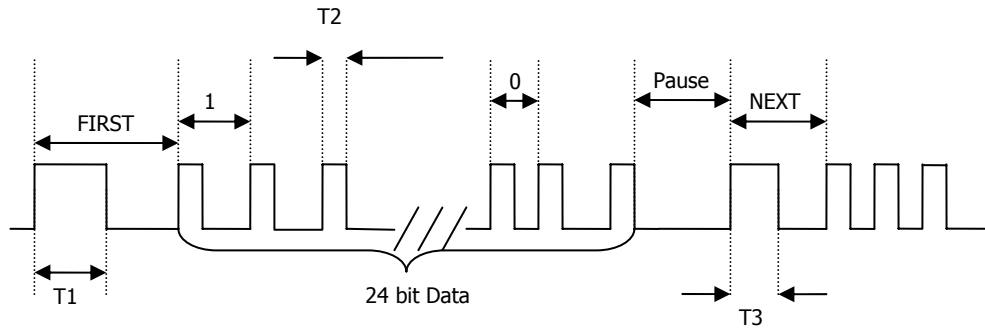


DWIN Projectors Infrared Codes(#177)

All codes continuously transmitted.

|.....first frame.....|.....next frame.....|.....next frame.....|...next frame...
 | FIRST | 24 bit | Pause | NEXT | 24 bit | Pause | NEXT | 24 bit | Pause | NEXT | 24 bit |

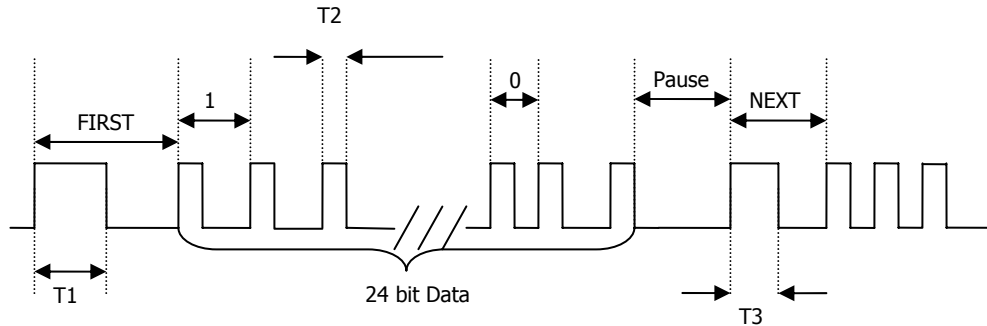


Timing (in microseconds)	
FIRST	24,000
T1	20,000
T2	560
Pause	6,000
T3	4,000
NEXT	8,000
1	2,500
0	1,500
Carrier frequency	56+/- 0.5 KHz

Data Code Values			
SL-8000	URC-100	Hexadecimal Value	Binary Value
ALT	CTR+	0xf 03 0 fc	1111 00000011 0000 11111100
NEXT	SUB+	0xf 05 0 fa	1111 00000101 0000 11111010
PRECH	PREV CH	0xf 17 0 e8	1111 00010111 0000 11101000
MENU	MENU	0xf 18 0 e7	1111 00011000 0000 11100111
EXIT	EXIT	0xf 27 0 d8	1111 00100111 0000 11011000
TV DEVICE	Power/On	0xf 29 0 d6	1111 00101001 0000 11010110
POWER	Power/Off	0xf 2a 0 d5	1111 00101010 0000 11010101
Channel down	Ch -	0xf 2c 0 d3	1111 00101100 0000 11010011
Channel UP	Ch+	0xf 2d 0 d2	1111 00101101 0000 11010010
Volume down	Vol -	0xf 2e 0 d1	1111 00101110 0000 11010001
Volume UP	Vol +	0xf 2f 0 d0	1111 00101111 0000 11010000
0	0	0xf 30 0 cf	1111 00110000 0000 11001111
1	1	0xf 31 0 ce	1111 00110001 0000 11001110
2	2	0xf 32 0 cd	1111 00110010 0000 11001101
3	3	0xf 33 0 cc	1111 00110011 0000 11001100
4	4	0xf 34 0 cb	1111 00110100 0000 11001011
5	5	0xf 35 0 ca	1111 00110101 0000 11001010
6	6	0xf 36 0 c9	1111 00110110 0000 11001001
7	7	0xf 37 0 c8	1111 00110111 0000 11001000
8	8	0xf 38 0 c7	1111 00111000 0000 11000111
9	9	0xf 39 0 c6	1111 00111001 0000 11000110
+10	+10	0xf 3a 0 c5	1111 00111010 0000 11000101
UP	UP ^	0xf 3b 0 c4	1111 00111011 0000 11000100
ENTER	ENTER	0xf 3c 0 c3	1111 00111100 0000 11000011
MUTE	MUTE	0xf 3f 0 c0	1111 00111111 0000 11000000
LEFT	LEFT <	0xf 64 0 9b	1111 01100100 0000 10011011
RIGHT	RIGHT >	0xf 65 0 9a	1111 01100101 0000 10011010
SELECT	SELECT ^	0xf 66 0 99	1111 01100110 0000 10011001
DOWN	DOWN v	0xf b0 0 4f	1111 10110000 0000 01001111
INFO	INFO	0xf e1 0 1e	1111 11100001 0000 00011110
FAV	GUIDE	0xf e2 0 1d	1111 11100010 0000 00011101
GUIDE	MODE+	0xf e1 0 1e	1111 11100001 0000 00011110

DWIN Plasma Displays Infrared Codes(#257)

|.....first frame.....|.....next frame.....|.....next frame.....|...next frame.
 | FIRST | 24 bit | Pause | NEXT | 24 bit | Pause | NEXT | 24 bit | Pause | NEXT | 24 bit |

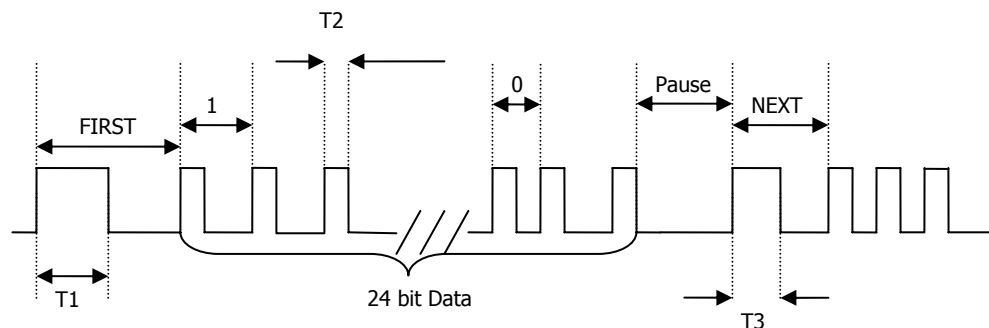


Timing (in microseconds)	
FIRST	24,000
T1	20,000
T2	560
Pause	6,000
T3	4,000
NEXT	8,000
1	2,500
0	1,500
Carrier frequency	56+/- 0.5 KHz

Data Code Values			
SL-8000	URC-100	Hexadecimal Value	Binary Value
ALT	CTR+	0xF 70 0 8F	1111 01110000 0000 0001111
NEXT	SUB+	0xF 71 0 8E	1111 01110001 0000 10001110
PRECH	PREV CH	0xF 72 0 8D	1111 01110010 0000 10001101
MENU	MENU	0xF 73 0 8C	1111 01110011 0000 10001100
EXIT	EXIT	0xF 74 0 8B	1111 01110100 0000 10001011
TV DEVICE	Power/On	0xF 77 0 88	1111 01110111 0000 10001000
POWER	Power/Off	0xF 75 0 8A	1111 01110101 0000 10001010
Channel DOWN	Ch -	0xF 78 0 87	1111 01111000 0000 10000111
Channel UP	Ch+	0xF 79 0 86	1111 01111001 0000 10000110
Volume DOWN	Vol -	0xF 7A 0 85	1111 01111010 0000 01101111
Volume UP	Vol +	0xF 7B 0 84	1111 01111011 0000 10000101
0	0	0xF 7C 0 83	1111 01111100 0000 10000011
1	1	0xF 7D 0 82	1111 01111101 0000 10000010
2	2	0xF 7E 0 81	1111 01111110 0000 10000001
3	3	0xF 7F 0 80	1111 01111111 0000 10000000
4	4	0xF 80 0 7F	1111 10000000 0000 01111111
5	5	0xF 81 0 7E	1111 10000001 0000 01111110
6	6	0xF 82 0 7D	1111 10000010 0000 01111101
7	7	0xF 83 0 7C	1111 10000011 0000 01111100
8	8	0xF 84 0 7B	1111 10000100 0000 01111011
9	9	0xF 85 0 7A	1111 10000101 0000 01111010
10+	+10	0xF 86 0 79	1111 10000110 0000 01111001
UP	UP ^	0xF 87 0 78	1111 10000111 0000 01111000
ENTER	ENTER	0xF 88 0 77	1111 10001000 0000 01110111
MUTE	MUTE	0xF 89 0 76	1111 10001001 0000 01110110
LEFT	LEFT <	0xF 8A 0 75	1111 10001010 0000 01110101
RIGHT	RIGHT >	0xF 8B 0 74	1111 10001011 0000 01110100
SELECT	SELECT ^	0xF 8C 0 73	1111 10001100 0000 01110011
DOWN	DOWN v	0xF 8D 0 72	1111 10001101 0000 01110010
INFO	INFO	0xF 8E 0 71	1111 10001110 0000 01110001
FAV	GUIDE	0xF 8F 0 70	1111 10001111 0000 01110000
GUIDE	MODE+	0xF 90 0 6F	1111 10010000 0000 01101111

DWIN Video Processors Infrared Codes(#253)

|.....first frame.....|.....next frame.....|.....next frame.....|...next frame.
 | FIRST | 24 bit | Pause | NEXT | 24 bit | Pause | NEXT | 24 bit | Pause | NEXT | 24 bit |



Timing (in microseconds)	
FIRST	24,000
T1	20,000
T2	560
Pause	6,000
T3	4,000
NEXT	8,000
1	2,500
0	1,500
Carrier frequency	56+/- 0.5 KHz

Data Code Values			
SL-8000	URC-100	Hexadecimal Value	Binary Value
ALT	CTR+	0xf a0 0 5f	1111 10100000 0000 01011111
NEXT	SUB+	0xf a1 0 5e	1111 10100001 0000 01011110
PRECH	PREV CH	0xf a2 0 5d	1111 10100010 0000 01011101
MENU	MENU	0xf a3 0 5c	1111 10100011 0000 01011100
EXIT	EXIT	0xf a4 0 5b	1111 10100100 0000 01011011
TV DEVICE	Power/On	0xf a5 0 5a	1111 10100101 0000 01011010
POWER	Power/Off	0xf ac 0 53	1111 10100101 0000 01011010
Channel DOWN	Ch -	0xf a8 0 57	1111 10101000 0000 01010111
Channel UP	Ch+	0xf a9 0 56	1111 10101001 0000 01010110
Volume DOWN	Vol -	0xf aa 0 55	1111 10101010 0000 01010101
Volume UP	Vol +	0xf ab 0 54	1111 10101011 0000 01010100
0	0	0xf c0 0 3f	1111 11000000 0000 00111111
1	1	0xf c1 0 3e	1111 11000001 0000 00111110
2	2	0xf c2 0 3d	1111 11000010 0000 00111101
3	3	0xf c3 0 3c	1111 11000011 0000 00111100
4	4	0xf c4 0 3b	1111 11000100 0000 00111011
5	5	0xf c5 0 3a	1111 11000101 0000 00111010
6	6	0xf c6 0 39	1111 11000110 0000 00111001
7	7	0xf c7 0 38	1111 11000111 0000 00111000
8	8	0xf c8 0 37	1111 11001000 0000 00110111
9	9	0xf c9 0 36	1111 11001001 0000 00110110
10+	+10	0xf ca 0 35	1111 11001010 0000 00110101
UP	UP ^	0xf cb 0 34	1111 11001011 0000 00110100
ENTER	ENTER	0xf cc 0 33	1111 11001100 0000 00110011
MUTE	MUTE	0xf cd 0 32	1111 11001101 0000 00110010
LEFT	LEFT <	0xf ce 0 31	1111 11001110 0000 00110001
RIGHT	RIGHT >	0xf cf 0 30	1111 11001111 0000 00100000
SELECT	SELECT ^	0xf d0 0 2e	1111 11010000 0000 00101110
DOWN	DOWN v	0xf d1 0 2d	1111 11010001 0000 00101101
INFO	INFO	0xf d2 0 2c	1111 11010010 0000 00101100
FAV	GUIDE	0xf d3 0 2b	1111 11010011 0000 00101011
GUIDE	MODE+	0xf d4 0 2a	1111 11010100 0000 00101010