

SERIAL NUMBER 253

REF : T9703042 / FVH.

Product(s)..... All projectors of the series 808S.

Module(s)..... UN RGB OUT + SOCKET (R762721, R762746).

Priority..... C

A - "Must" modification. Barco will provide the necessary components to perform this modification at no charge.

B - Improves the reliability of the product .

C - Improves the general working conditions of the product .

D - For information only.

RE : The Automatic Black Level (ABL) circuit varies with temperature and depends on the vertical blanking pulse *width*.

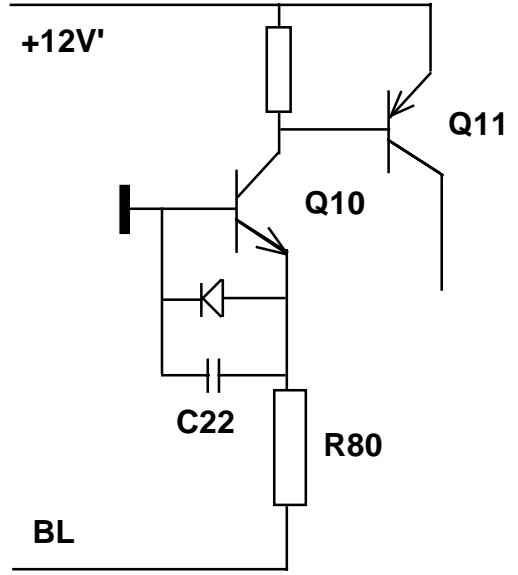
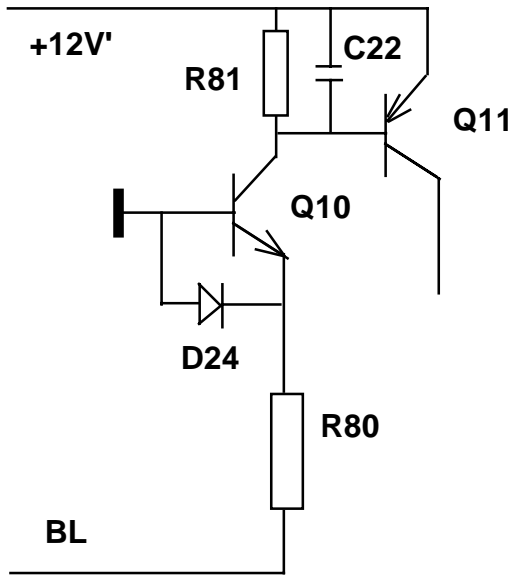
The ABL does not work to satisfaction in some power video amplifier stages and varies with temperature. During alignment it can happen that the LED for alignment of the G2 voltage does not go off and alignment is impossible or very difficult.

Following adaptations , or, modifications in the drive circuit of the opto-coupler improve above behaviour :

- a) D24 is reversed and consequently connected now with its cathode to ground and anode to the emitter of Q10.
- b) C22 is moved from its position across R81 to a new position across D22 or from the emitter of Q10 to ground.
- c) Since C22 is moved to another position there is no capacitor any more across R81.

See new schematic at next page.

T9703042



Derijcke Camiel
Product Development Manager.

Vanhaverbeke Frans
Product Support Manager.