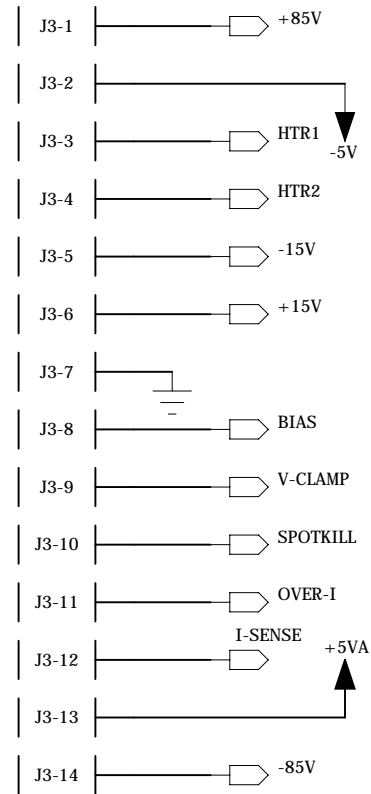
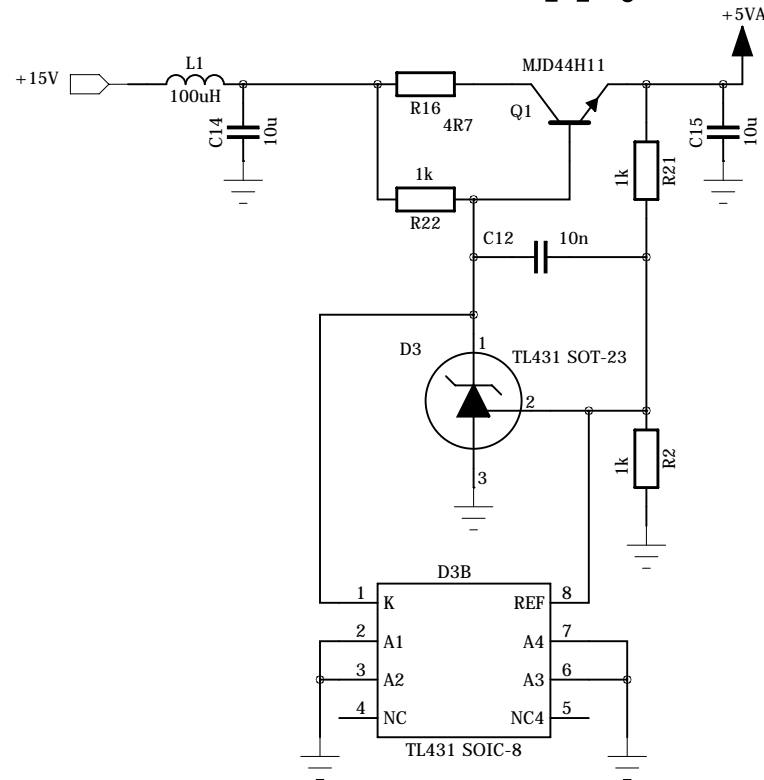


| | | | |
|-----------|-----------------|--|--------|
| Equipment | | ELELECTROHOME / CHRISTIE / VDC MARQUEE | |
| Title | | VNB-DB v3 | |
| Size | Document Number | Rev | JG |
| A4 | | | |
| Date: | 02.01.2017 | Sheet | 1 of 2 |

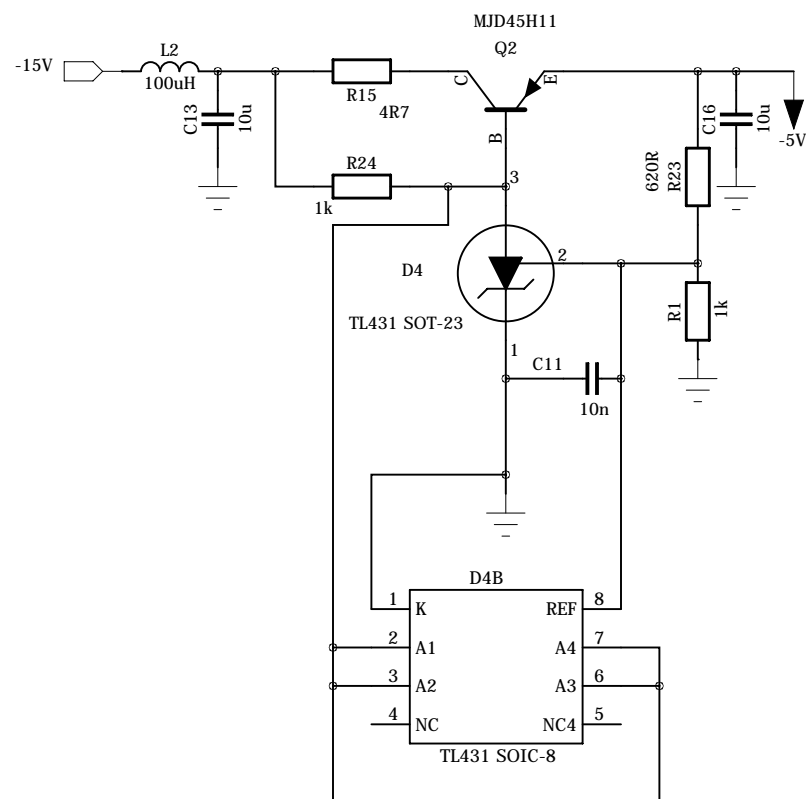
To VNB



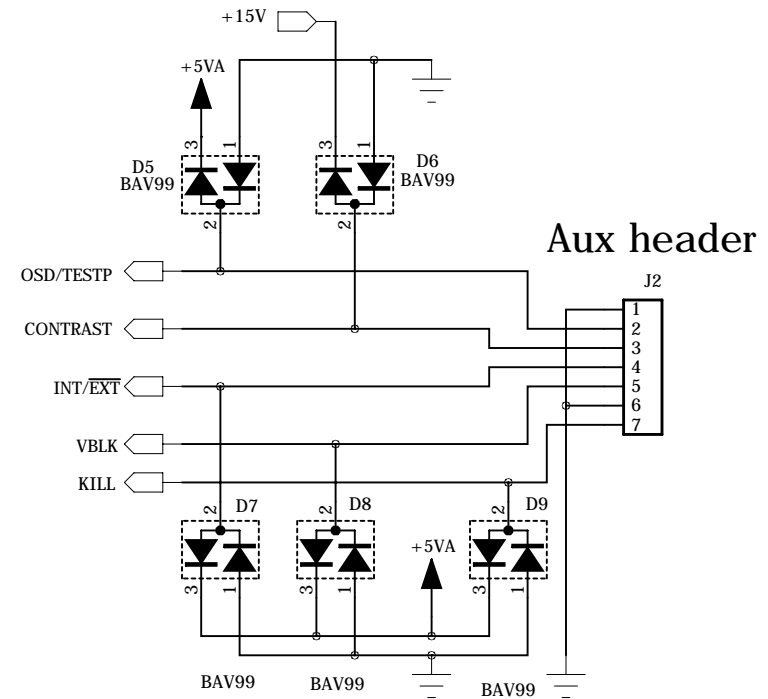
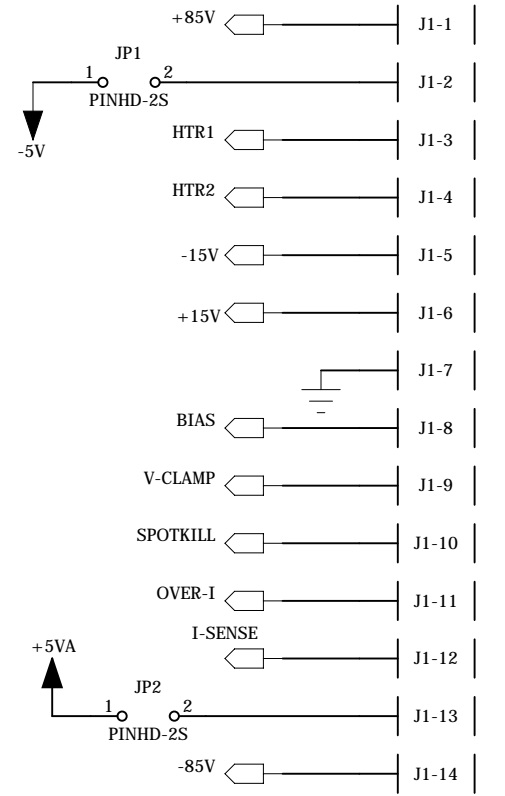
+5V supply



-5V supply



DB Header



| | | | |
|-----------|-----------------|--------------------------------------|--------|
| Equipment | | ELECTROHOME / CHRISTIE / VDC MARQUEE | |
| Title | | VNB-DB v3 | |
| Size | Document Number | Rev | JG |
| A4 | | | |
| Date: | 02.01.2017 | Sheet | 2 of 2 |