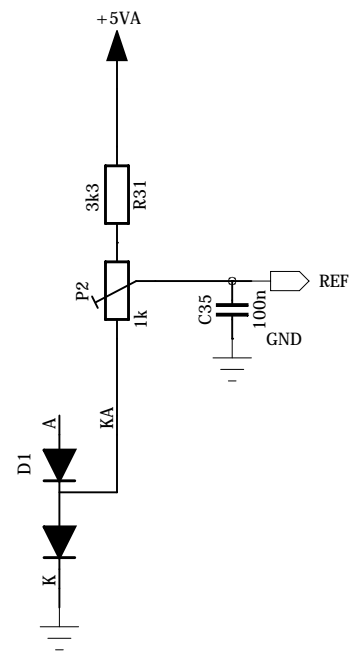
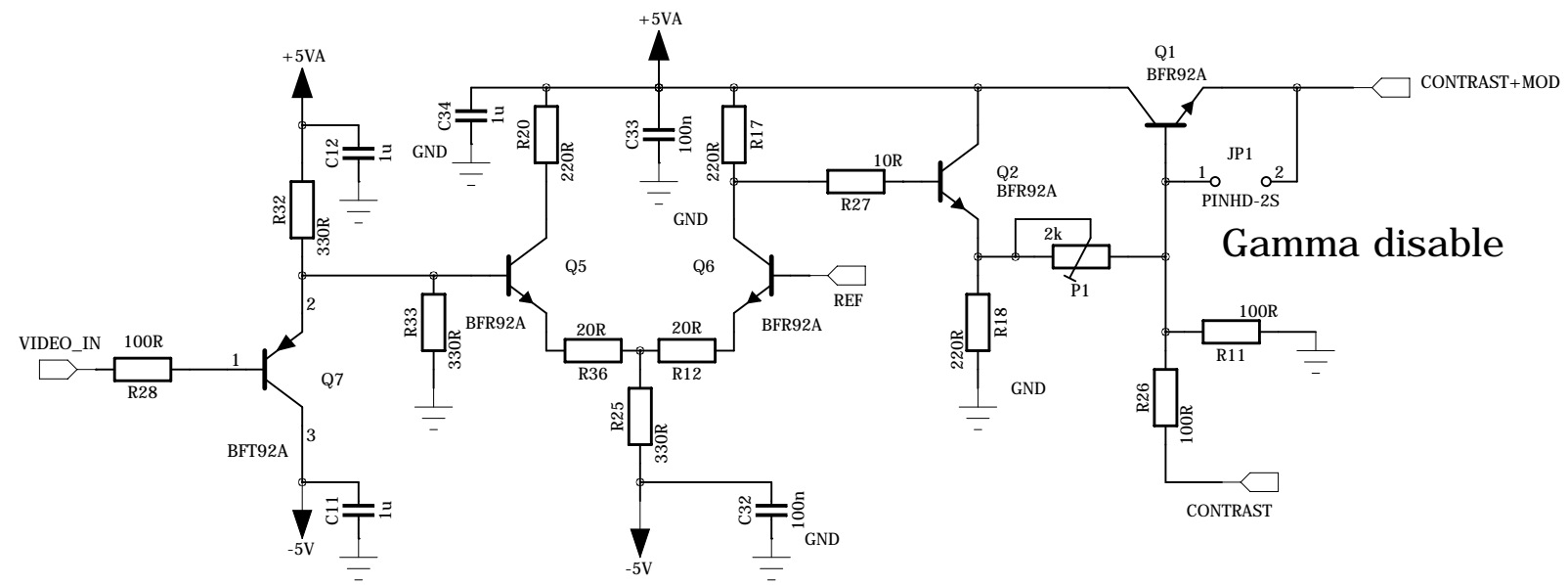
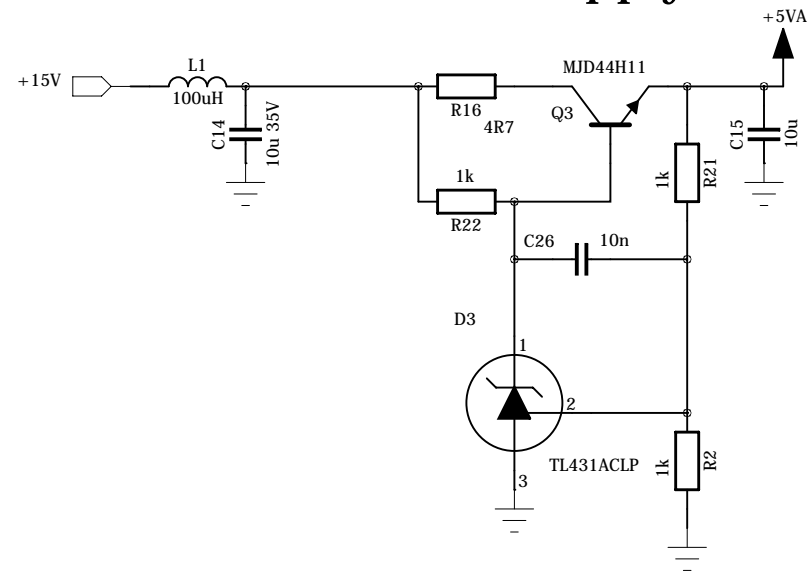


Equipment		ELELCTROHOME / CHRISTIE / VDC MARQUEE	
Title		VNB-DB	
Size	Document Number	Rev	
A4		JG	
Date:	06.06.2016	Sheet	1 of 3

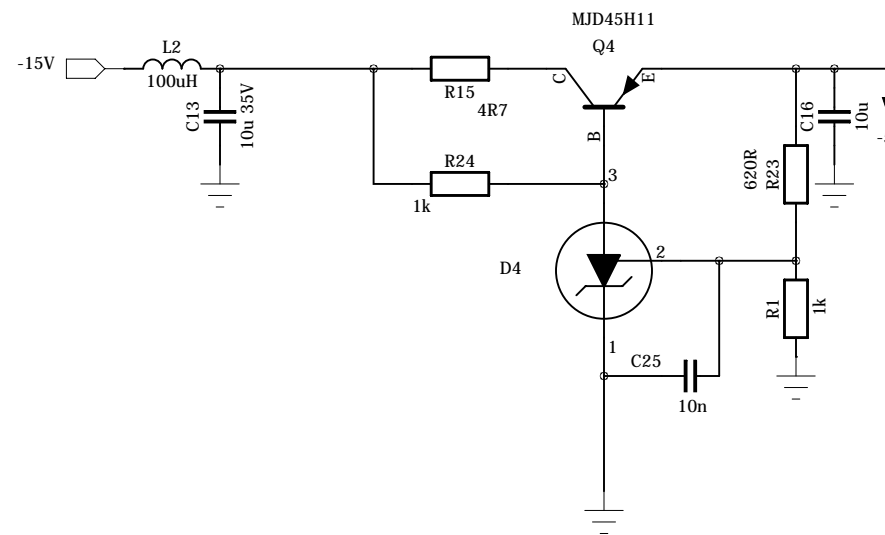


Equipment		ELELCTROHOME / CHRISTIE / VDC MARQUEE	
Title		VNB-DB	
Size	Document Number	Rev	JG
A4			
Date:	06.06.2016	Sheet	2 of 3

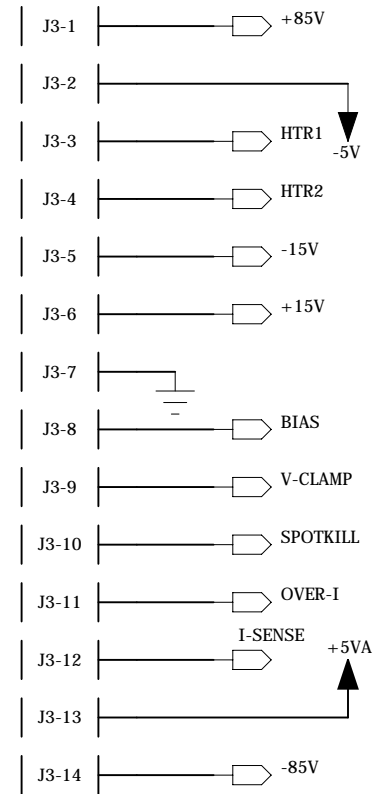
+5V supply



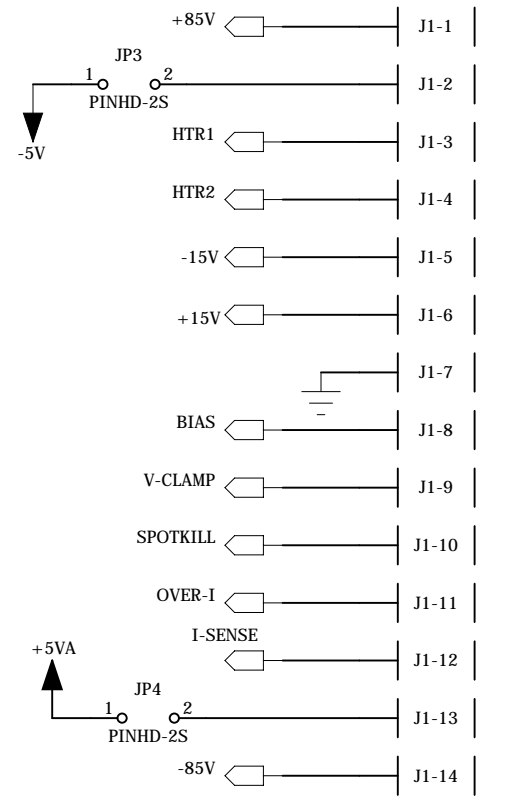
-5V supply



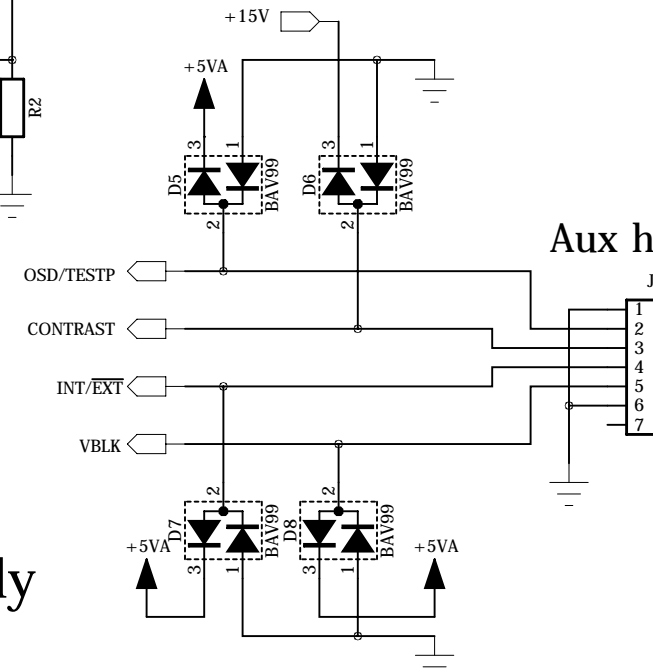
To VNB



DB Header



Aux header



Equipment		ELECTROHOME / CHRISTIE / VDC MARQUEE	
Title		VNB-DB	
Size	Document Number	Rev	
A4		JG	
Date:	06.06.2016	Sheet	3 of 3