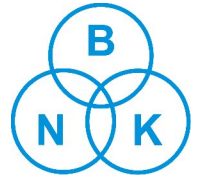


Obonok Technologies



Blu-Wire™ T1 Transmitter & R1 Receiver Pair

Easy, Low-cost, Point-to-point HDMI Extension!

Features

- Extend HDMI v1.3 / 1.2 + HDCP + Power over a single UTP (CatX)
- HDMI extension to 200' / 61m @ 1080i/720p; 150' / 46m @ 1080p
- Auto Gain / Auto EQ for plug-and-play setup and zero maintenance
- Not sensitive to electrical interference from nearby lighting or mobile phones
- Uses unshielded Cat6 and many Cat5e cables for adaptable performance



Obonok Technologies designs, develops and produces the Blu-Wire™ Series, the world's leading technology for HDMI signal distribution over category cable. The Blu-Wire T1 Transmitter and R1 Receiver provide an installer-friendly method of extending HDMI v1.3 or v1.2 + HDCP (content protection signals) over cost-effective UTP (unshielded twisted pair) cable. Blu-Wire Series transmitters, transceivers, receivers and splitters can be combined to distribute HDMI to hundreds of HDTV's! Blu-Wire R1 receivers are used at the ends of the daisy-chains or at the end of a point-to-point extension.

Obonok's Blu-Wire Series is the only HDMI extension product line featuring multi-output transmitters, up to 2,000-ft. / 610m total range via daisy-chain multi-output receivers, NO adjustments for ease of installation and maintenance, and full 1080p + HDCP performance over SINGLE UTP CatX cable.

Obonok Technologies

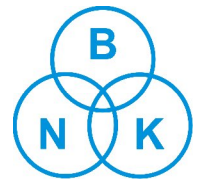
16192 Coastal Highway
Lewes, DE 19958

Phone: 512-299-8424

Website: www.obonok.com

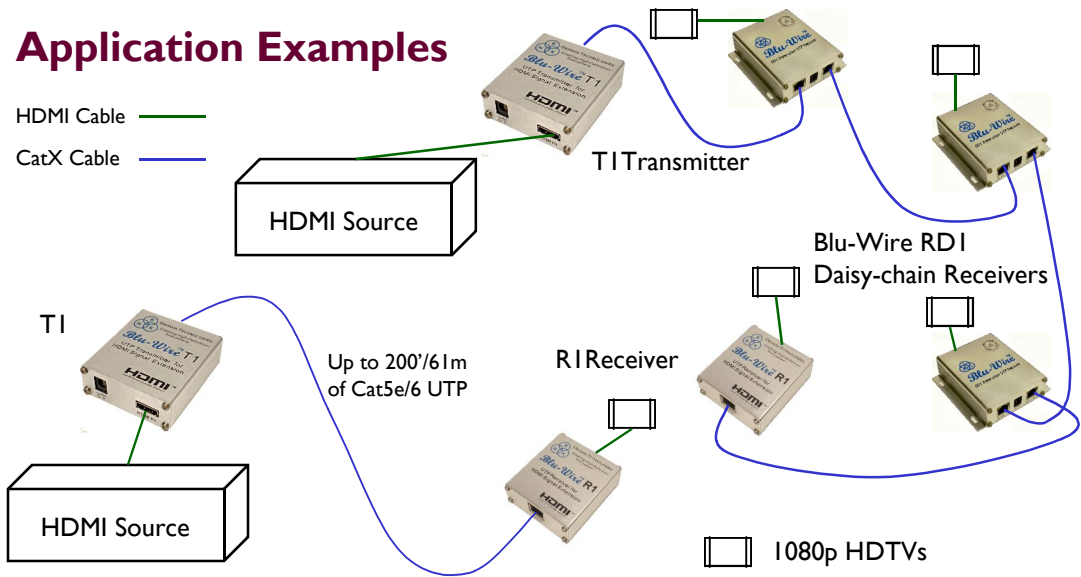
E-mail: sales@obonok.com

Blu-Wire™ TI / RI



Transmitter / Receiver HDMI Extension Pair

Application Examples



Specifications

- Total Bandwidth: up to 6.6 Gbps
- Maximum Resolution: 1080p / 1920 x 1200
- Maximum Distance (from transmitter to first receiver): 200 ft. / 61m @ 1080i, or 150 ft. / 46m @ 1080p
- HDMI Connectors (1): Type A 19-pin F
- Link Connectors (1): RJ-45 F
- Power Supply: 12V DC (TI transmitter only— included. Also needed for every 3rd RDI Receiver in a daisy-chain configuration.)
- Power Consumption: 6 Watts (max.)
- Operating Temperature: -15C to 50C
- Storage Temperature: -40C to 85C
- HDMI Specifications Supported: v1.1, 1.2 & 1.3
- HDCP Compliant
- Cable Compatibility: Solid, bonded Cat5e/6/7 (Cat6 or Cat7 required for 1080p applications)
- Gain / EQ / Skew Compensation: Automatic; adjustment-free

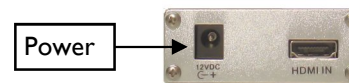
Connections



RI Receiver



Both Models



TI Transmitter

- Dimensions: 71mm L x 64mm W x 24mm H
- Patents Pending: U.S. 60956694 and 60968046

Recommended UTP Cables

- Belden Home Choice 2510 Cat6
- Shaxon UL725-8 Cat6
- Belden 7988R Cat5e
- Solid, bonded Cat6 highly recommended for 1080p applications
- Not recommended: stranded cable, “soft” network jump cables

Obonok Technologies

16192 Coastal Highway
Lewes, DE 19958

Phone: 512-299-8424

Website: www.obonok.com

E-mail: sales@obonok.com

