

LEGEND
 H DENOTES HEAT SINKED COMPONENT.
 — MALE EURO — FEMALE EURO — HARNESS CONN

ALL RESISTORS ARE 5% TOL UNLESS OTHERWISE SHOWN
 ALL CAPACITORS ARE 10% TOL & 50V UNLESS OTHERWISE SHOWN
 THE FOLLOWING ARE MALE/FEMALE CONNECTORS:

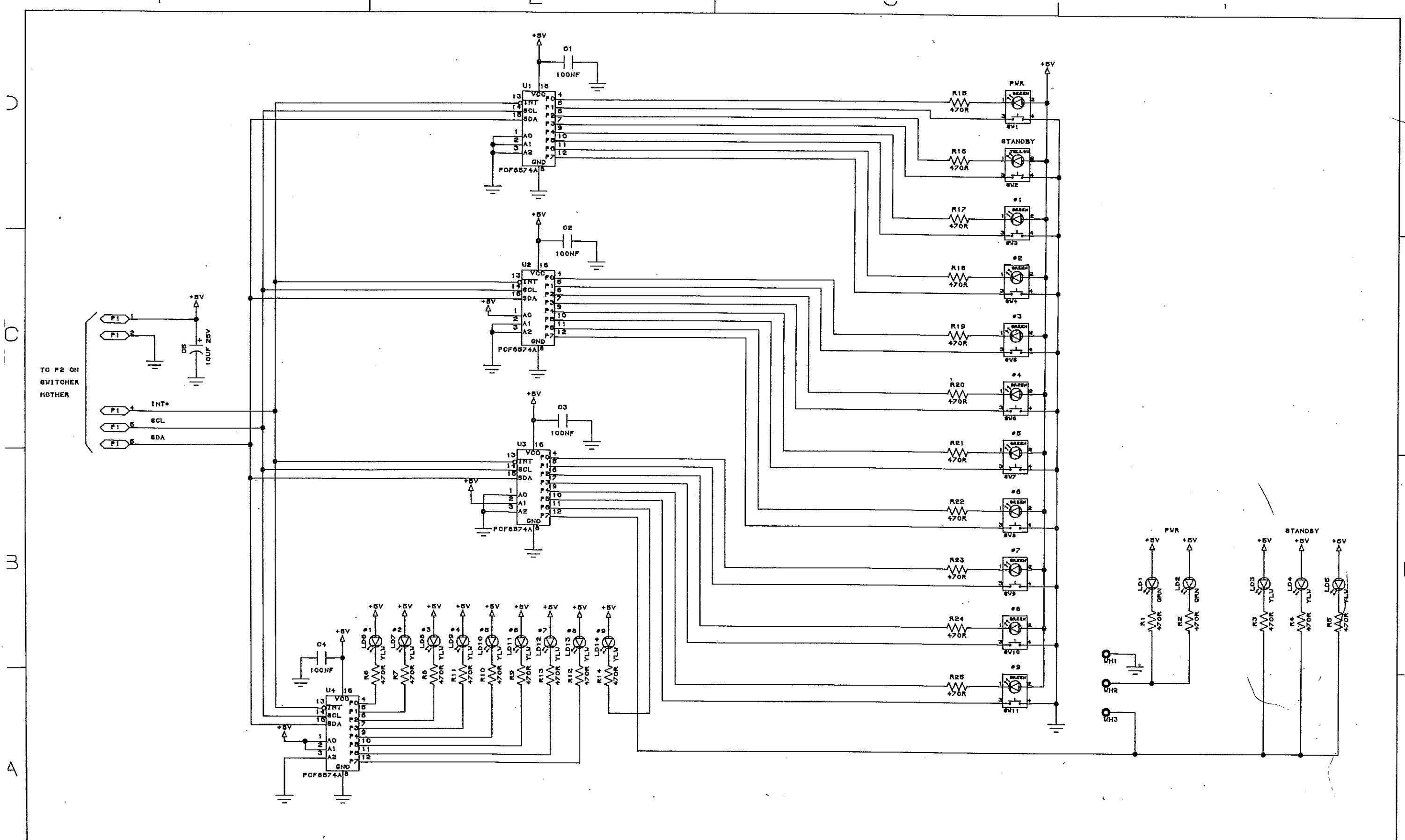
THIS PCB IS SENSITIVE TO ELECTROSTATIC DISCHARGE
 ← ARROWS SHOW SIGNAL DIRECTION TO THIS PCB
 — SHIELDED AREAS AS SHOWN
 — DIGITAL GROUND — ANALOGUE GROUND

CAUTION
 FOR CONTINUED SAFETY REPLACE COMPONENTS NOTED BY Δ WITH EXACT REPLACEMENT PARTS ONLY. CONSULT SERVICE MANUAL FOR REPLACEMENT.

ISSUE	DATE	ISSUE	DATE
1	28JAN97	KC	

ELECTROHOME PROJECTION SYSTEMS
 KITCHENER, ONTARIO
 CANADA, N2G 4J6
 (519) 744-7111

TITLE: SWITCHER MOTHER BOARD (SW-MB) D
 SCHEMATIC: 00-260400-02P PCB: 50-001972-01P SHEET 1 OF 2



LEGEND
 H DENOTES HEAT SINK COMPONENT.
 ♂ MALE EURO ♀ FEMALE EURO ⊞ HARNESS CONN

ALL RESISTORS ARE 5% TOL UNLESS OTHERWISE SHOWN
 ALL CAPACITORS ARE 10% TOL & 50V UNLESS OTHERWISE SHOWN
 THE FOLLOWING ARE MALE/FEMALE CONNECTORS:

THIS PCB IS SENSITIVE TO ELECTROSTATIC DISCHARGE
 ARROWS SHOW SIGNAL DIRECTION TO THIS PCB
 SHIELDED AREAS AS SHOWN
 ⊞ DIGITAL GROUND ⊞ ANALOGUE GROUND

CAUTION
 FOR CONTINUED SAFETY REPLACE COMPONENTS NOTED BY ⚠ WITH EXACT REPLACEMENT PARTS ONLY. CONSULT SERVICE MANUAL FOR REPLACEMENT.

ISSUE	DATE	ISSUE	DATE
1	01/4/93	1.1	6-22-93

ELECTROHOME PROJECTION SYSTEMS
 KITCHENER, ONTARIO CANADA, N2G 4J6 (613) 744-7111
 TITLE: SWITCHER FRONT PANEL (5v-FP) D
 SCHEMATIC: 00-260402-01P PCB: 50-001980-01P SHEET 1 OF 1

